



## General Presentation

Functionality, ergonomics and elegance, the PML 2000 range also offers an excellent display readability and a great ease of use.

This laboratory scale fits the following areas perfectly:

- Input control,
- Preparation for formulation,
- Jewelry,
- Dental prosthesis,
- Chemistry,
- etc...

It comes with the Automatic internal calibration function as standard.

## Functions

- ▼ Weighing.
- ▼ Counting.
- ▼ Checkweighing
- ▼ Percentage weighing.
- ▼ Dosing.
- ▼ Voluminal mass calculation (density).
- ▼ Animal weighing.
- ▼ Unit conversion (Non-Trade Use only).
- ▼ Statistics.
- ▼ Peak / Hold.

### Table Management:

- Products .....	1000 recordings
- Tares .....	100 recordings
- Operators .....	100 recordings
- <b>DSD</b> .....	100 000 recordings

### Other Functions:

- Below scale weighing (hook)
- GLP Procedures
- Self test

### Multilingual:

FRENCH, ENGLISH, GERMAN, SPANISH, PORTUGUESE, POLISH, TURKISH, CZECH, ITALIAN, HUNGARIAN.

## Main Characteristics

- ▼ Capacity
  - 4 models from 360 g to 6 kg.
- ▼ Accuracy
  - from 0,001 g to 0,1 g.
- ▼ Display
  - Liquid crystal display (LCD) Back lit 18mm.
- ▼ Plateau
  - Stainless steel from 128 x 128 to 195 x 195 mm.
- ▼ Protection
  - IP 43
- ▼ Communication interface:
  - 2 RS232 links as standard,
  - USB-A as standard,
  - USB-B as standard,
  - WIFI in option.

## CE Compliance

- ▼ Compliant with the European Directive for Electromagnetic Compatibility.
- ▼ Compliant with the European Directive for Low Voltage Equipment.
- ▼ Compliant with the European Directive for Non-Automatic Weighing Instruments.

## Technical Data

### Physical Characteristics

- Mass 360M ..... 3,7 kg / 5,3 kg
- Mass 3500C - 4500C ..... 4,5 kg / 6 kg
- Mass 6001D ..... 4,8 kg / 6,4 kg

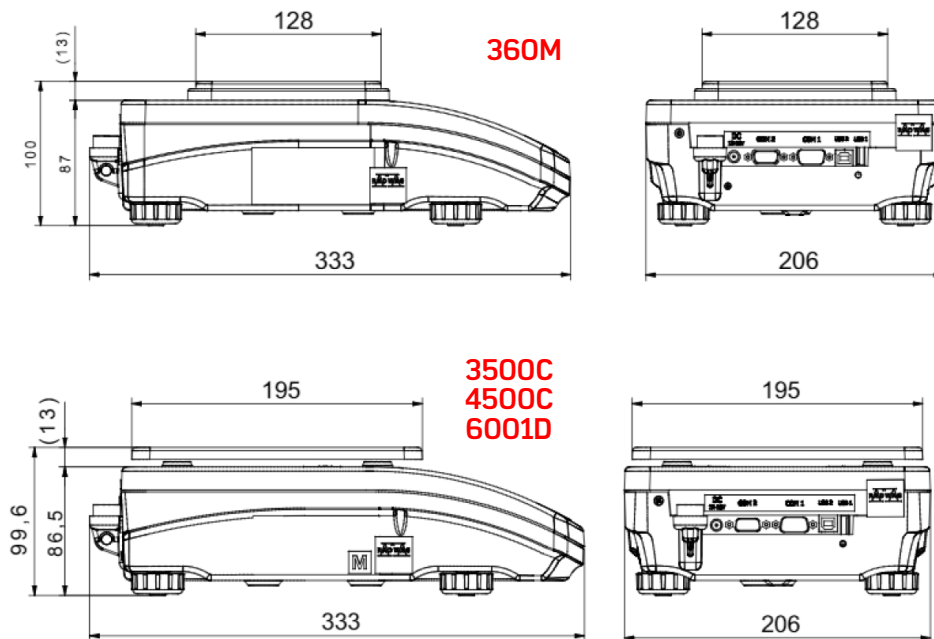
### Electrical Characteristics

- ▼ Power supply:
  - Mains Voltage ..... 100-240 V AC - 50/60 Hz
  - 12-16 V DC - 250\* mA
  - Max Consumption ..... 4 W

### Operation

- Temperature range ..... + 10 °C / + 40 °C *\* 350 mA in WIFI mode.*





### Dimensions (mm):



## Available Models

Models PML 2000	Capacity (g)	Accuracy (g)	Interval (g)	Measurement Time(s)	Repeatability (g)	Linearity (g)	Platform (mm)
360M	360	0,001	0,01	2	0,001	0,002	128 x 128
3500C	3 500	0,01	0,1	1,5	0,01	0,02	195 x 195
4500C	4 500	0,01	0,1	1,5	0,01	0,02	195 x 195
6001D	6 000	0,1	1	1,5	0,1	0,03	195 x 195

## Options & Accessories

TM 20 Thermal Printer	Battery 8h autonomy	Protective cage	Protective cover
	 Charge time: 5 h		

Your specialist

Precia Molen reserves the right to alter the characteristics of the equipment described in this brochure at any time.

Headquarters & Factory **PRECIA-MOLEN**  
 BP 106 - 07000 Privas - France  
 Tel. 33 (0) 475 664 600  
 Fax 33 (0) 475 664 330  
 E-MAIL webmaster@preciamolen.com

RCS: 386 620 165 RCS Aubenas

