



220MG



600M



**3500C
6000C
6001D**

General Presentation

Functionality, ergonomics and elegance, the PML 3000 range offers optimum comfort in use.

Its intuitive interface and its internal database management open the door to almost unlimited possibilities of cooperation with external devices.

Thanks to an in-built programmable infra-red sensor, a simple hand gesture triggers the automatic execution of the associated function.

It comes with the Automatic internal calibration as standard.

Functions

- ▼ Weighing.
- ▼ Counting.
- ▼ Checkweighing
- ▼ Percentage weighing.
- ▼ Dosing.
- ▼ Voluminal mass calculation (density).
- ▼ Animal weighing.
- ▼ Unit conversion (Non-Trade Use only).
- ▼ Statistics.
- ▼ Peak / Hold.

Table Management:

- Products	5 000 recordings
- Customers	1 000 recordings
- Formulas.....	100 recordings
- Tares	100 recordings
- Operators	100 recordings
- DSD	512 000 recordings

Other Functions:

- Below scale weighing (hook)
- GLP Procedures
- Self test

Multilingual:

FRENCH, ENGLISH, SPANISH, GERMAN, ITALIAN, POLISH, RUSSIAN, UKRAINIAN, HUNGARIAN, CZECH, CHINESE, ARABIC, TURKISH, KOREAN.

Main Characteristics

- ▼ Capacity
 - 5 models from 200 g to 6 kg.
- ▼ Accuracy
 - from 0,0001 g to 0,1 g.
- ▼ Display
 - 5" color touchscreen.
- ▼ Platform
 - Stainless steel from Ø 100 to 195 x 195 mm.
- ▼ Protection
 - IP 43
- ▼ Standard communication interface:
 - 2 RS232 links,
 - USB-A,
 - USB-B,
 - WIFI,
 - Ethernet.

Compliance

- ▼ Compliant with the European Directive for Electromagnetic Compatibility.
- ▼ Compliant with the European Directive for Low Voltage Equipment.
- ▼ Compliant with the European Directive for Non-Automatic Weighing Instruments.

Technical Data

Physical Characteristics

- Mass 220MG 5,3 kg / 7,3 kg
- Mass 600M 3,9 kg / 5,5 kg
- Mass 3500C 4,5 kg / 6 kg
- Mass 6000C - 6001D 4,8 kg / 6,4 kg

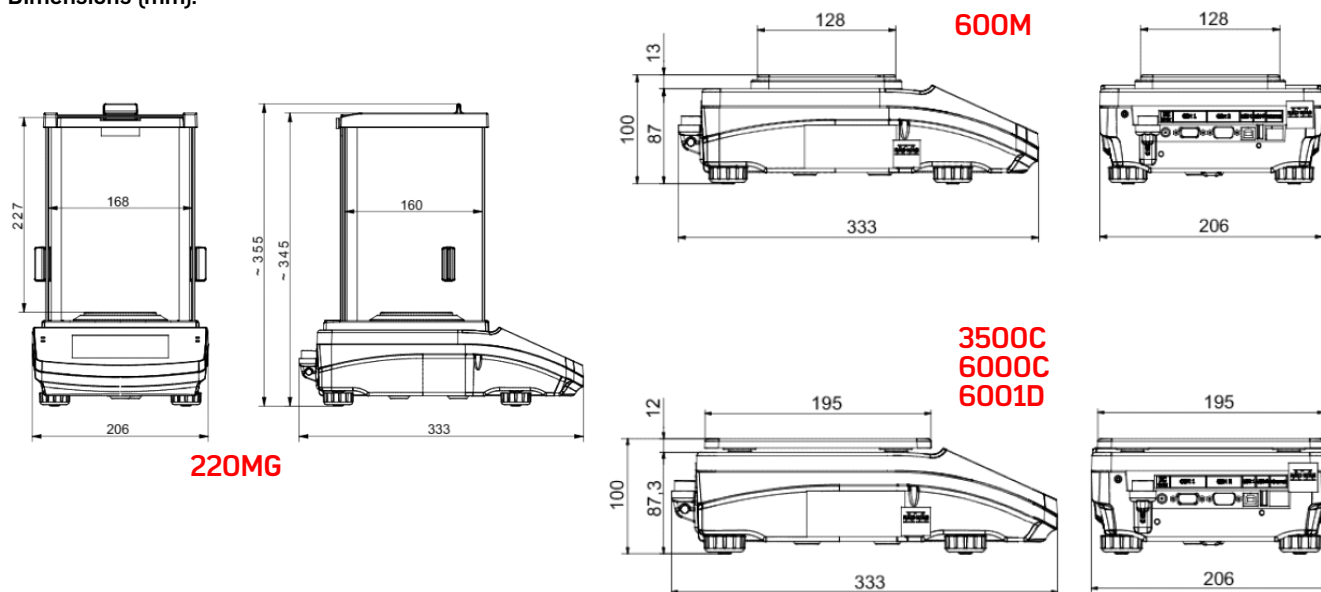
Electrical Characteristics

- ▼ Power supply:
 - Mains Voltage 100-240 V AC - 50/60 Hz
 - 12-16 V DC - 250* mA
 - Max consumption 4 W

Operation

- Temperature range + 10 °C / + 40 °C * 450 mA in WIFI mode.





Dimensions (mm):



Available Models

Models PML 3000	Capacity (g)	Accuracy (g)	Interval (g)	Measurement Time(s)	Repeatability (g)	Linearity (g)	Platform (mm)
220MG	220	0,0001	0,001	3,5	0,0001	0,0002	∅ 100
600M	600	0,001	0,01	2	0,0015	0,003	128 x 128
3500C	3 500	0,01	0,1	1,5	0,01	0,02	195 x 195
6000C	6 000	0,01	0,1	1,5	0,015	0,03	195 x 195
6001D	6 000	0,1	1	1,5	0,1	0,1	195 x 195

Options & Accessories

TM 20 Thermal Printer	Battery 8h autonomy	Protective Cage	Protective Cover
	 Charge time: 5 h		

Your specialist

Precia Molen reserves the right to alter the characteristics of the equipment described in this brochure at any time.

Headquarters & Factory **PRECIA-MOLEN**
 BP 106 - 07000 Privas - France
 Tel. 33 (0) 475 664 600
 Fax 33 (0) 475 664 330
 E-MAIL webmaster@preciamolen.com

RCS: 386 620 165 RCS Aubenas

