

PML 4000 Range Industrial Laboratory Scales



10C



35D

50C

General Presentation

The scales from the PML 4000 range integrate easily in most industrial sectors:

- Electronics, Bottle checking and filling, Metal work and fabrication, Mechanical production, Pharmaceutical industry, Chemical industry...

Its large standard connectivity allows the connection to all kinds of peripherals which are likely to equip an industrial workstation (printer, network, remote display...).

Possibility of external calibration.

Functions

- ▼ Weighing.
- ▼ Counting.
- ▼ Checkweighing
- ▼ Percentage weighing.
- ▼ Dosing.
- ▼ Voluminal mass calculation (density).
- ▼ Animal weighing.
- ▼ Unit conversion.
- ▼ Statistics,
- ▼ Peak / Hold.

Table Management:

- Products	5 000 recordings
- Formulas.....	100 recordings
- Customers	1 000 recordings
- Tares	100 recordings
- Operators	100 recordings
- DSD	512 000 recordings

Other Functions:

- Below scale weighing
- GLP Procedures

Multilingual:

FRENCH, ENGLISH, GERMAN, POLISH, CZECH.

Main Characteristics

- ▼ Capacity
 - 3 models from 10 kg to 50 kg.
- ▼ Accuracy
 - from 0,01 g to 0,1 g.
- ▼ Display
 - 5" color screen.
- ▼ Platform
 - Stainless steel from 185 x 200 to 259 x 347 mm.
- ▼ Protection
 - IP 43
- ▼ Standard communication interface:
 - 2 RS232 links,
 - USB-A,
 - USB-B,
 - WIFI,
 - Ethernet.

Compliance

- ▼ Compliant with the European Directive for Electromagnetic Compatibility.
- ▼ Compliant with the European Directive for Low Voltage Equipment.

Technical Data

Physical Characteristics

- Mass 10C 10 kg / 12,2 kg
- Mass 35D/50D 11 kg / 13,2 kg

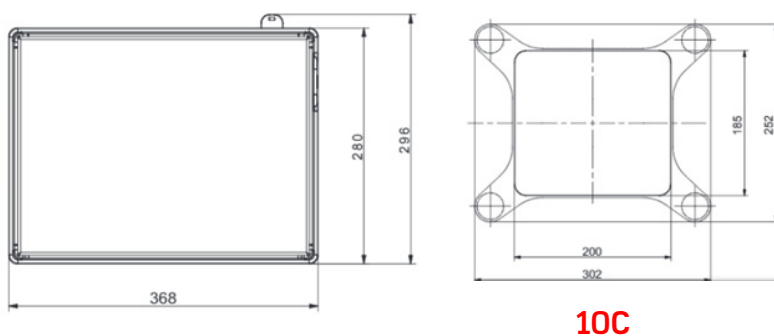
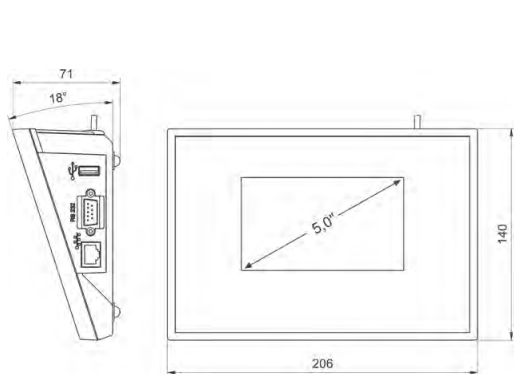
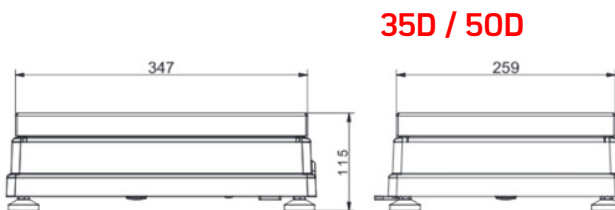
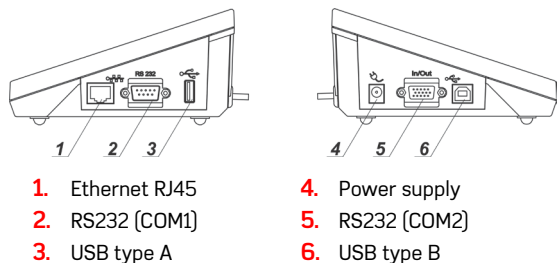
Electrical Characteristics

- ▼ Power supply:
 - Mains Voltage 100-240 V AC - 50/60 Hz
12-16 VDC
 - Max Consumption 4 W

Operation

- Temperature range +10 °C / +40 °C




Dimensions (mm):



Available Models

Models PML 4000	Capacity (kg)	Accuracy (g)	Interval (g)	Measurement Time(s)	Repeatability (g)	Linearity (g)	Platform (mm)
10C	10	0,01	0,1	3	0,01	0,03	200 x 185
35D	35	0,1	1	3	0,1	0,3	347 x 259
50C	50	0,1	1	3	0,15	0,3	347 x 259

Options & Accessories

TM 20 Thermal Printer	Battery 5h autonomy	Protective Cover
	 Charge Time: 5 h	

Your specialist

Precia Molen reserves the right to alter the characteristics of the equipment described in this brochure at any time.

Headquarters & Factory **PRECIA-MOLEN**
 BP 106 - 07000 Privas - France
 Tel. 33 (0) 475 664 600
 Fax 33 (0) 475 664 330
 E-MAIL webmaster@preciamolen.com
 RCS: 386 620 165 RCS Aubenas

